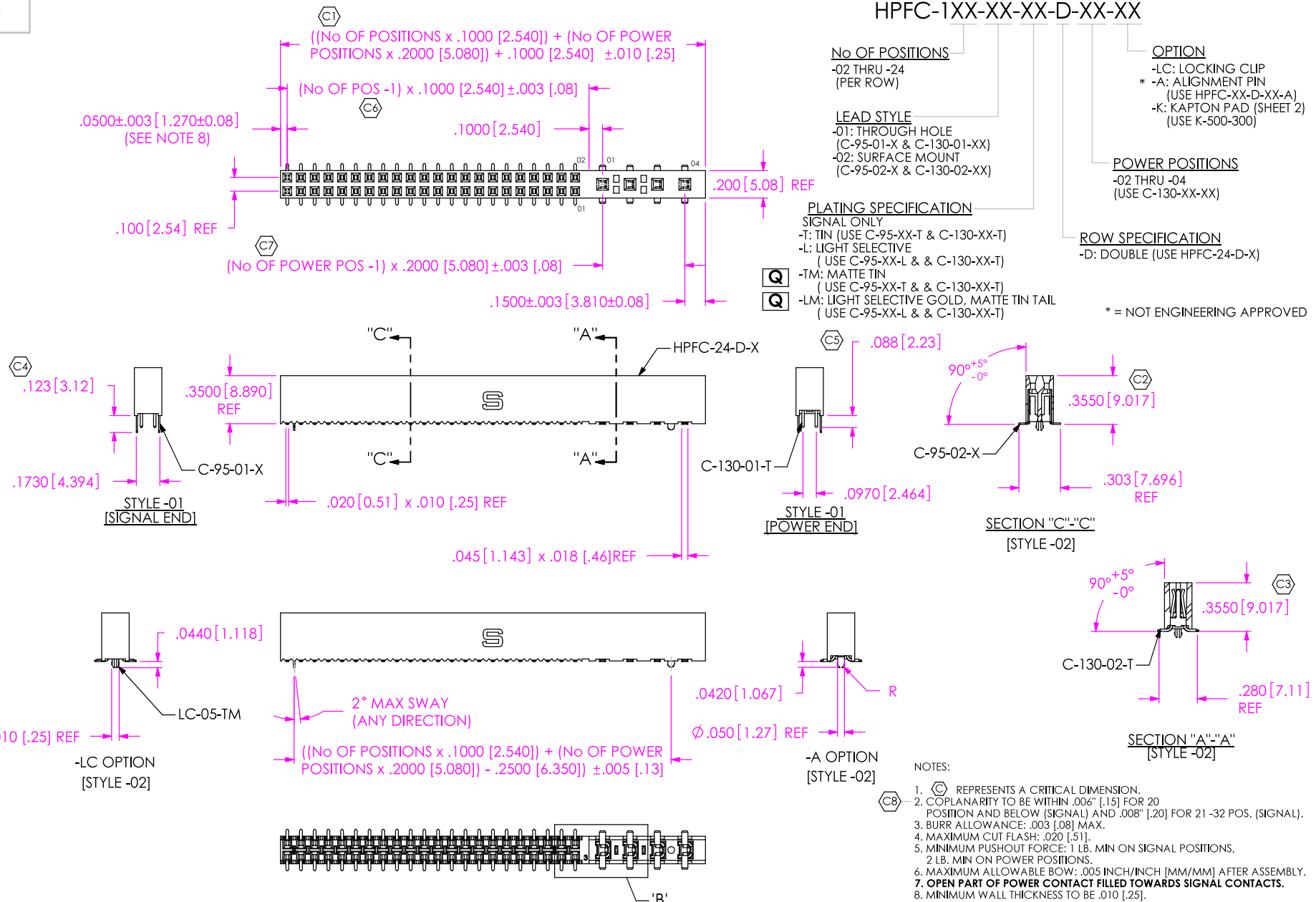
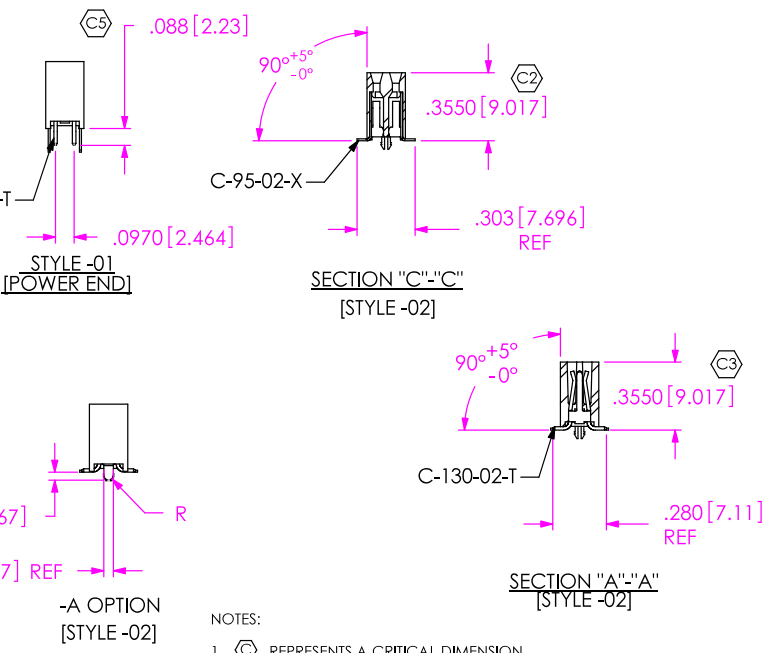
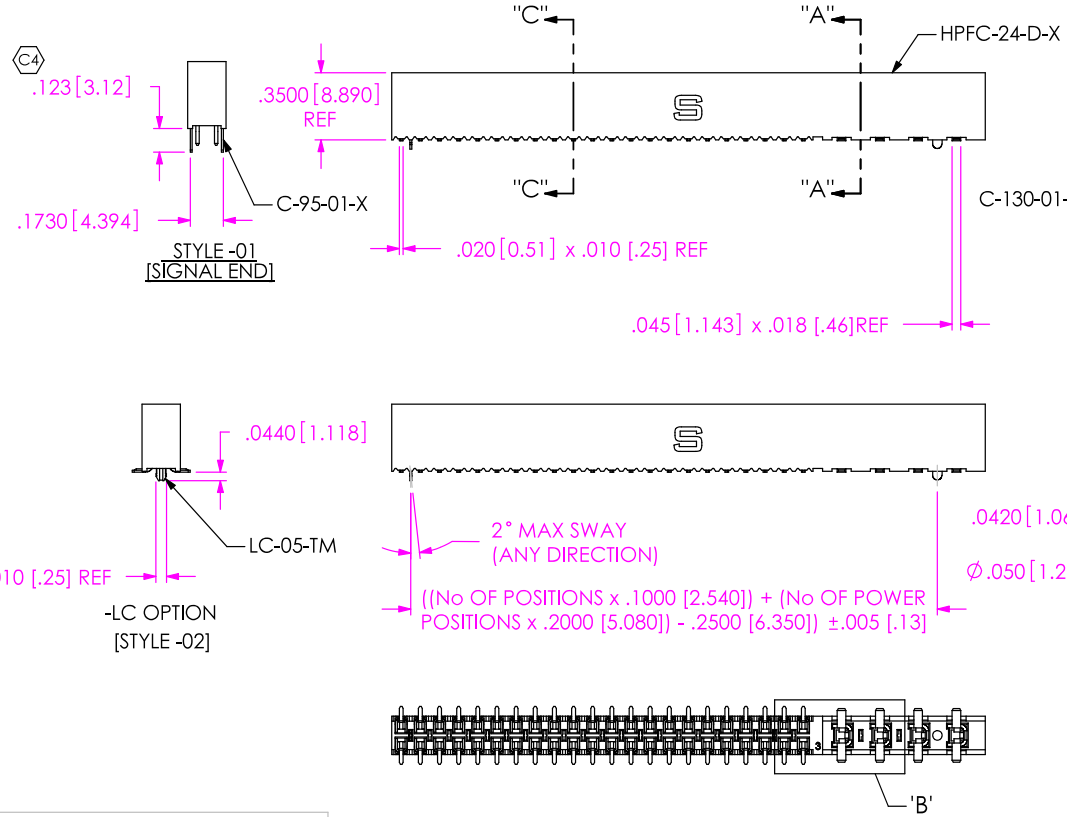


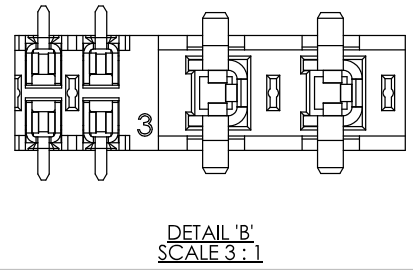
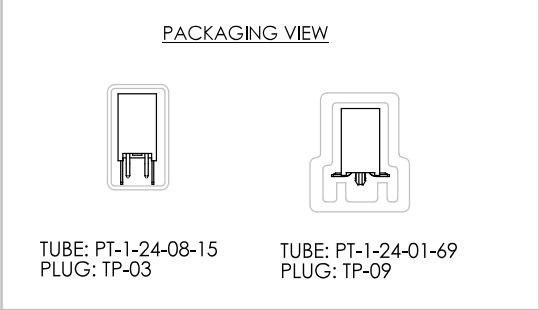
DO NOT SCALE FROM THIS PRINT



- No OF POSITIONS**
-02 THRU -24 (PER ROW)
- LEAD STYLE**
-01: THROUGH HOLE (C-95-01-X & C-130-01-XX)
-02: SURFACE MOUNT (C-95-02-X & C-130-02-XX)
- PLATING SPECIFICATION**
SIGNAL ONLY
-T: TIN (USE C-95-XX-T & C-130-XX-T)
-L: LIGHT SELECTIVE (USE C-95-XX-L & C-130-XX-T)
-TM: MATTE TIN (USE C-95-XX-T & C-130-XX-T)
-LM: LIGHT SELECTIVE GOLD, MATTE TIN TAIL (USE C-95-XX-L & C-130-XX-T)
- OPTION**
-LC: LOCKING CLIP
* -A: ALIGNMENT PIN (USE HPFC-XX-D-XX-A)
-K: KAPTON PAD (SHEET 2) (USE K-500-300)
- POWER POSITIONS**
-02 THRU -04 (USE C-130-XX-XX)
- ROW SPECIFICATION**
-D: DOUBLE (USE HPFC-24-D-X)
- * = NOT ENGINEERING APPROVED



- NOTES:
1. (C) REPRESENTS A CRITICAL DIMENSION.
 2. COPLANARITY TO BE WITHIN .006" [.15] FOR 20 POSITION AND BELOW (SIGNAL) AND .008" [.20] FOR 21 -32 POS. (SIGNAL).
 3. BURR ALLOWANCE: .003 [.08] MAX.
 4. MAXIMUM CUT FLASH: .020 [.51].
 5. MINIMUM PUSHOUT FORCE: 1 LB. MIN ON SIGNAL POSITIONS, 2 LB. MIN ON POWER POSITIONS.
 6. MAXIMUM ALLOWABLE BOW: .005 INCH/INCH [MM/MM] AFTER ASSEMBLY.
 7. OPEN PART OF POWER CONTACT FILLED TOWARDS SIGNAL CONTACTS.
 8. MINIMUM WALL THICKNESS TO BE .010 [.25].



UNLESS OTHERWISE SPECIFIED, DIMENSIONS ARE IN INCHES.
TOLERANCES ARE:
DECIMALS ANGLES
.XX: ±.01 [.3] 2°
.XXX: ±.005 [.13]
.XXXX: ±.0020 [.051]

PROPRIETARY NOTE
THIS DOCUMENT CONTAINS INFORMATION CONFIDENTIAL AND PROPRIETARY TO SAMTEC, INC. AND SHALL NOT BE REPRODUCED OR TRANSFERRED TO OTHER DOCUMENTS OR DISCLOSED TO OTHERS OR USED FOR ANY PURPOSE OTHER THAN THAT WHICH IT WAS OBTAINED WITHOUT THE EXPRESSED WRITTEN CONSENT OF SAMTEC, INC.

MATERIAL: DO NOT SCALE DRAWING
INSULATOR: VECTRA E130i COLOR: BLACK
POWER CONTACT: BeCu 174HT
SIGNAL CONTACT: PHOS BRONZE CDA510

SHEET SCALE: 1:1

F:\DWG\MISC\MKTG\HPFC-1XX-XX-XX-D-XX-XX-MKLT.SLDDRW

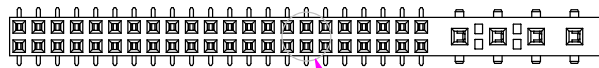
SAMTEC

520 PARK EAST BLVD, NEW ALBANY, IN 47150
* PHONE: 812.944.6733 FAX: 812.948.5047
e-Mail: INFO@SAMTEC.COM CODE: 55322

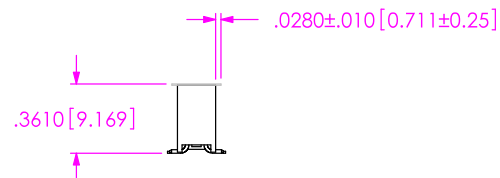
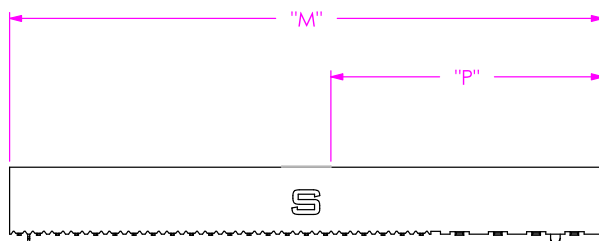
DESCRIPTION:
.**.200 [5.08] POWER COMBO SOCKET ASSEMBLY**

DWG. NO.
HPFC-1XX-XX-XX-D-XX-XX

BY: DEAN P 01/06/1999 SHEET 1 OF 2



$\phi .256 [6.50]$



-K OPTION
(SHOWN: HPFC-122-02-X-D-4-K)

NOTE: "M" = TOTAL PART LENGTH (REF)
"P" = $\{ ("M" - .256 [6.50]) / 2 \} \pm .020 [.51]$

| | |
|---|---|
| <p>PROPRIETARY NOTE THIS DOCUMENT CONTAINS INFORMATION CONFIDENTIAL AND PROPRIETARY TO SAMTEC, INC. AND SHALL NOT BE REPRODUCED OR TRANSFERRED TO OTHER DOCUMENTS OR DISCLOSED TO OTHERS OR USED FOR ANY PURPOSE OTHER THAN THAT WHICH IT WAS OBTAINED WITHOUT THE EXPRESSED WRITTEN CONSENT OF SAMTEC, INC.</p> <p>DO NOT SCALE DRAWING</p> <p>SHEET SCALE: 1:1</p> | <p>SAMTEC</p> <p>520 PARK EAST BLVD, NEW ALBANY, IN 47150 * PHONE: 812.944.6733 FAX: 812.948.5047 e-Mail: INFO@SAMTEC.COM CODE: 55322</p> |
| | <p>DESCRIPTION: .200 [5.08] POWER COMBO SOCKET ASSEMBLY</p> <p>DWG. NO. HPFC-1XX-XX-XX-D-XX-XX</p> |
| <p>BY: DEAN P 01/06/1999</p> | <p>SHEET 2 OF 2</p> |